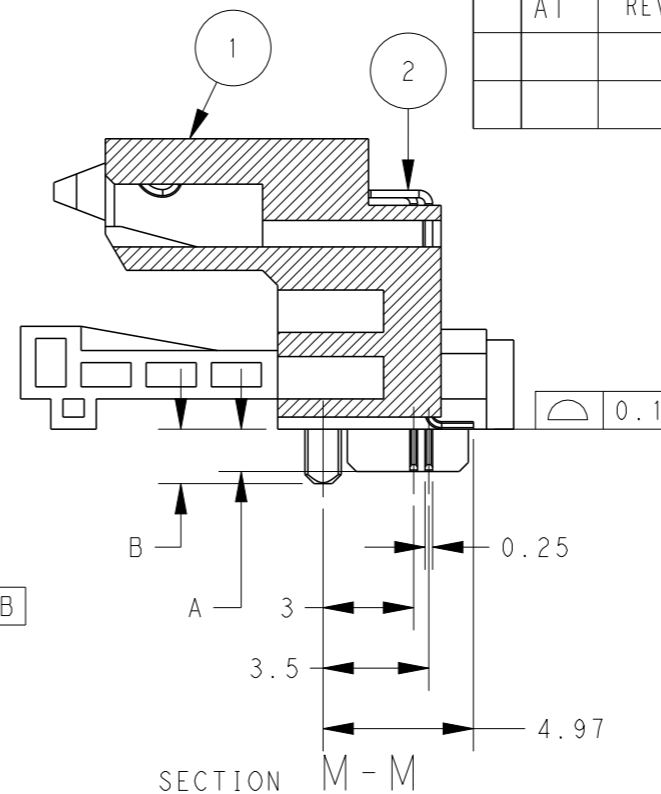
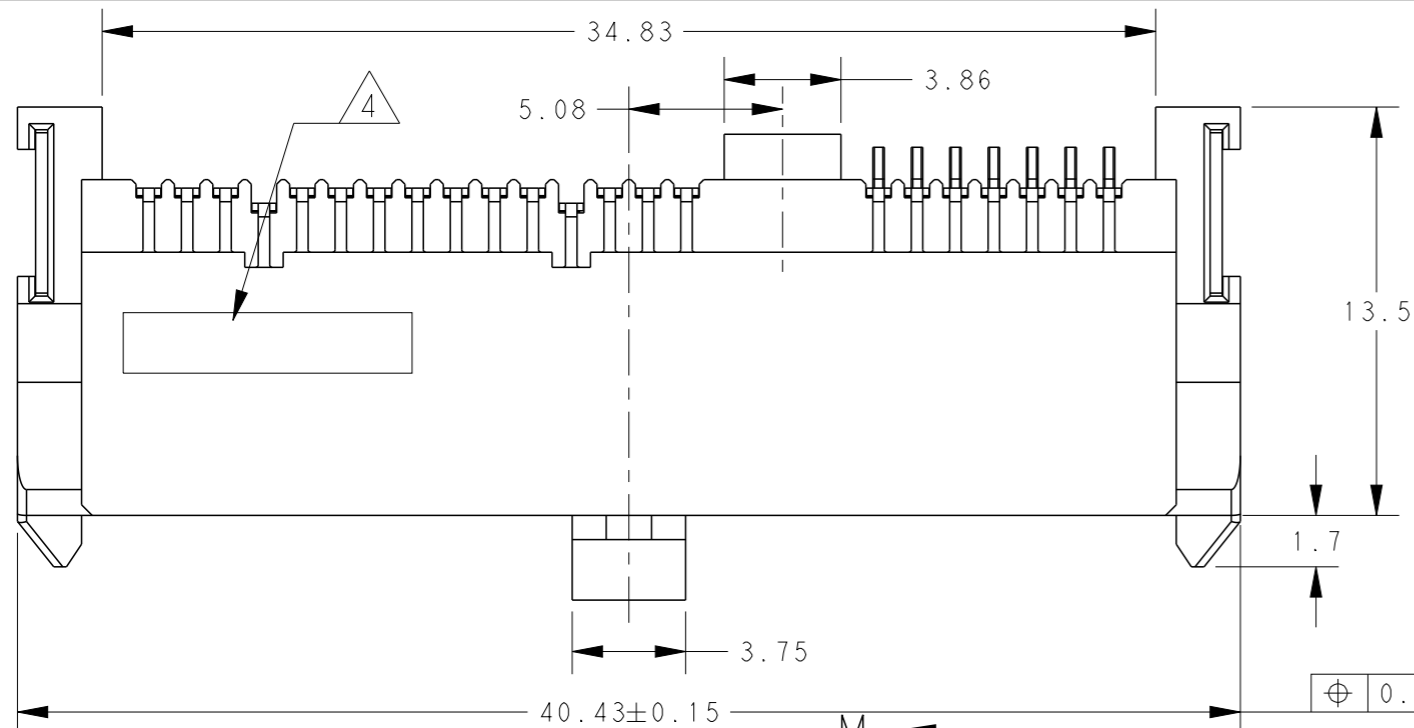


THIS DRAWING IS UNPUBLISHED. RELEASED FOR PUBLICATION 20  
 © COPYRIGHT 20 BY - ALL RIGHTS RESERVED.

LOC DW DIST

REVISIONS

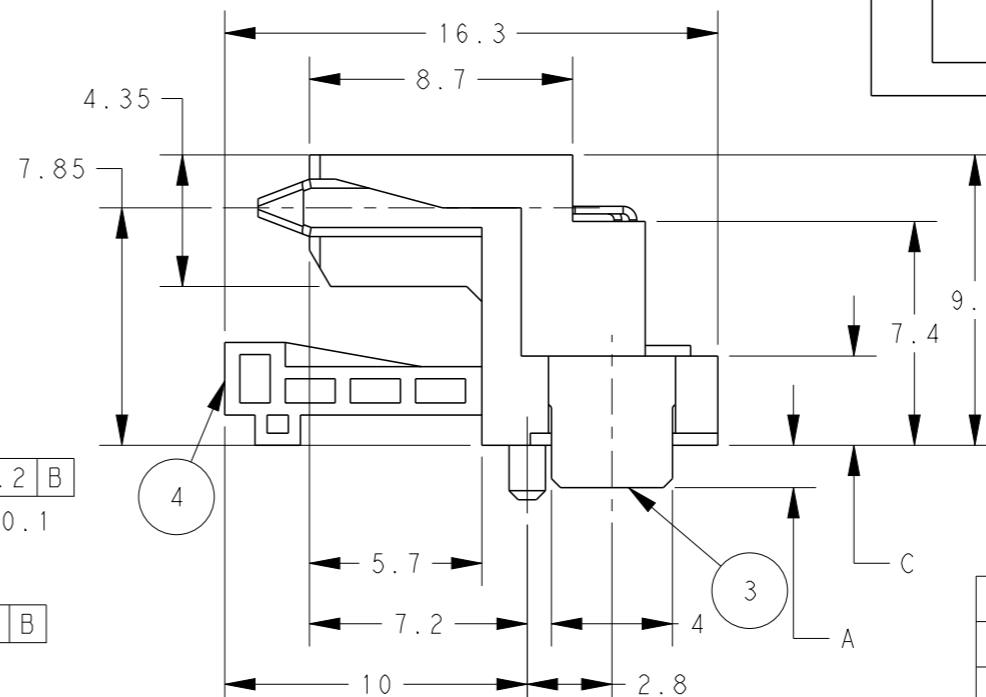
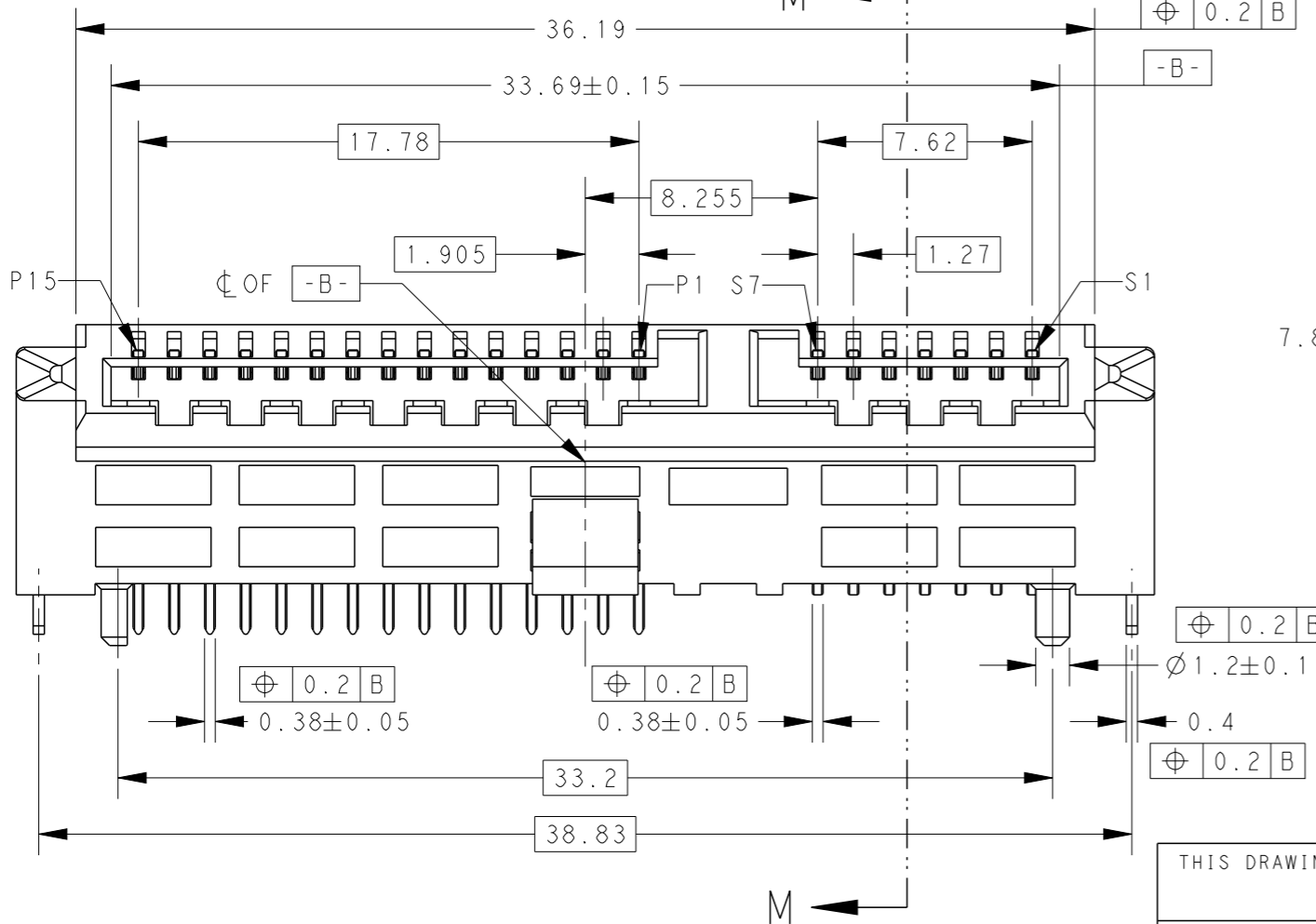
P	LTR	DESCRIPTION	DATE	DWN	APVD
	A	RELEASED	11OCT2013	W.C	V.P
	A1	REVISED(ECR-14-005112)	31MAR2014	W.C	V.P



- MATERIAL
  - ① HOUSING: HIGH TEMPERATURE THERMOPLASTIC UL94V-0, COLOR: BLACK
  - ② CONTACT: COPPER ALLOY
  - ③ LEG: COPPER ALLOY
  - ④ CAP: HIGH TEMPERATURE THERMOPLASTIC UL94V-0, COLOR: BLACK

- FINISH:
  - CONTACT: CONTACT AREA: AU PLATING 0.127um WITH LUBRICANT HM-15
  - MATTE-TIN PLATING 2.5um ON SOLDER TAILS
  - NICKEL UNDER PLATING 1.3um OVER ALL.
  - SOLDER LEG: MATTE-TIN PLATING 2.5um
  - NICKEL UNDER PLATING 1.3um OVER ALL.
- MEET HALOGEN FREE REQUIREMENT:
  - Cl: 900 ppm MAX.
  - Br: 900 ppm MAX.
  - Cl+Br: 1500 Max.

DATE CODE  
 YY WW D S  
 ASSY MECHINE ID  
 DAY OF WEEK  
 WEEK OF YEAR  
 THE LAST DIGITS OF YEAR



3.65	0.9	0.7	2129571-2
2.95	1.8	1.4	2129571-1
DIM.C	DIM.B	DIM.A	PART NUMBER

THIS DRAWING IS A CONTROLLED DOCUMENT.

DIMENSIONS:	TOLERANCES UNLESS OTHERWISE SPECIFIED:
mm	0 PLC ±0.2
	1 PLC ±0.2
	2 PLC ±0.2
	3 PLC ±0.2
	4 PLC ±0.2
	ANGLES ±5
MATERIAL	FINISH
①	②

DWN	W.CHEN	31OCT12
CHK	V.PENG	31OCT12
APVD	H.KODAMA	31OCT12
PRODUCT SPEC	108-99048	
APPLICATION SPEC	501-99048	
WEIGHT		
CUSTOMER DRAWING		

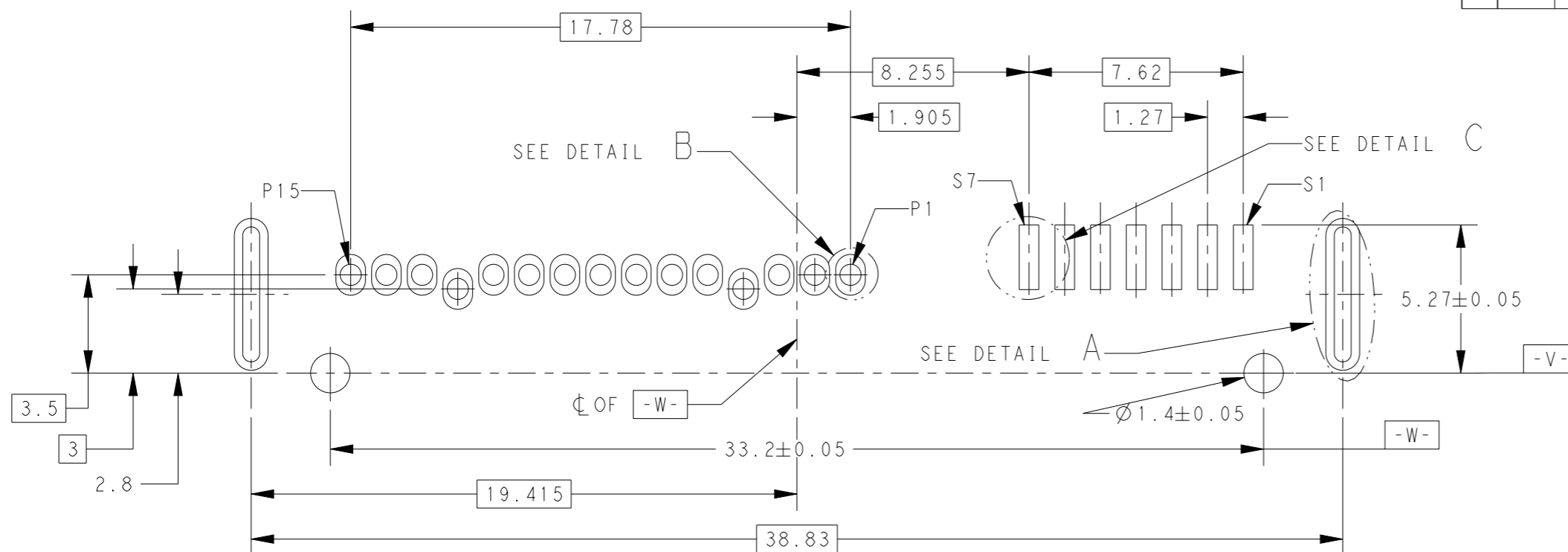
**STE** TE Connectivity

REC. ASSEMBLY  
 SLANT INSERTION SATA H7.85  
 6.0 GBPS

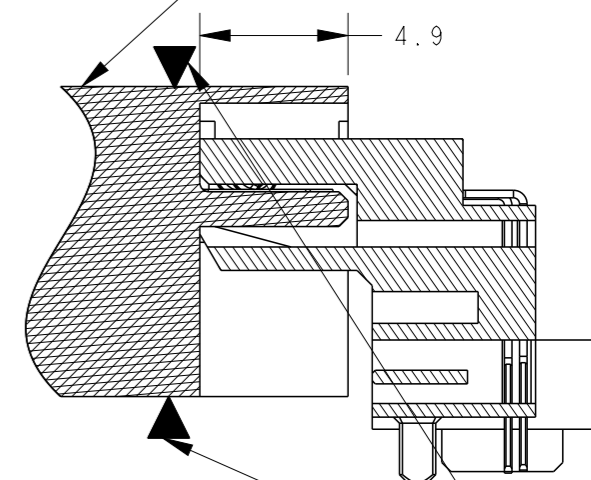
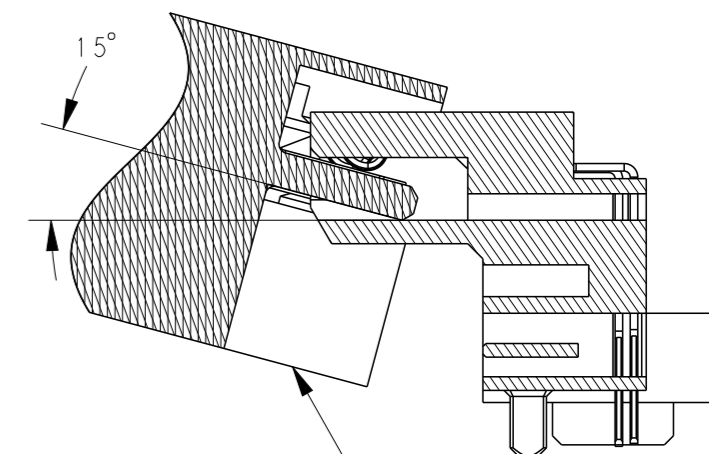
SIZE	CAGE CODE	DRAWING NO	RESTRICTED TO
A3	00779	C-2129571	-

SCALE 4:1 SHEET 1 OF 3 REV A1

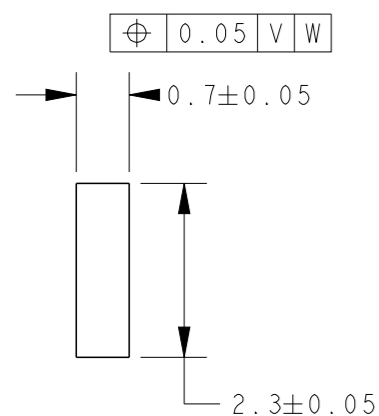
P	LTR	DESCRIPTION	DATE	DWN	APVD
-	-	SEE SHEET 1	-	-	-



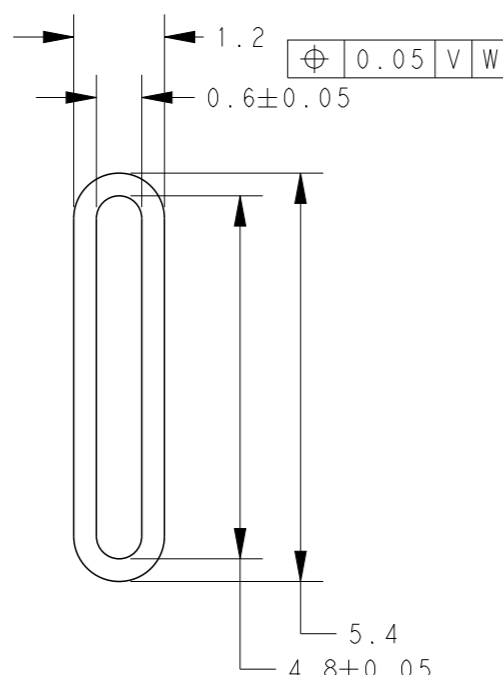
REFERENCE PCB LAYOUT  
 REFERENCE PCB THICKNESS T=1.0  
 SCALE 5:1



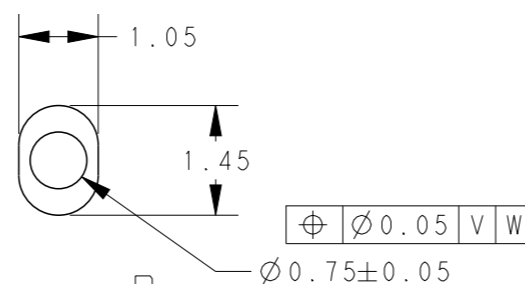
SUGGEST TO ADD SUPPORTS ON THE  
 HDD NEAR THE CONNECTORS



DETAIL C  
 SCALE 10:1



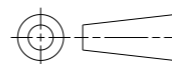
DETAIL A  
 SCALE 10:1



DETAIL B  
 SCALE 10:1

THIS DRAWING IS A CONTROLLED DOCUMENT.

DIMENSIONS:  
 mm



TOLERANCES UNLESS OTHERWISE SPECIFIED:  
 0 PLC ±0.2  
 1 PLC ±0.2  
 2 PLC ±0.2  
 3 PLC ±0.2  
 4 PLC ±0.2  
 ANGLES ±5

MATERIAL -

FINISH -

DWN	-
CHK	-
APVD	-
PRODUCT SPEC	-
APPLICATION SPEC	-
WEIGHT	-



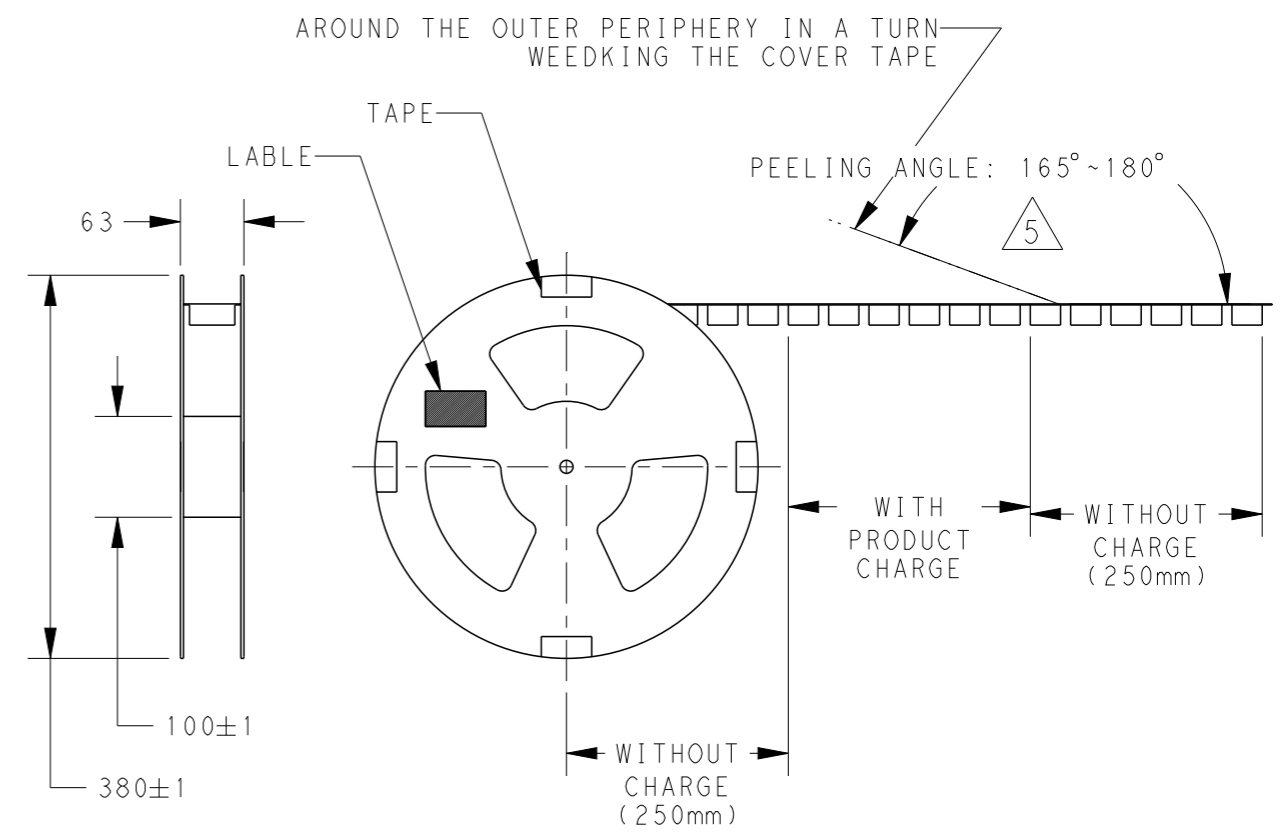
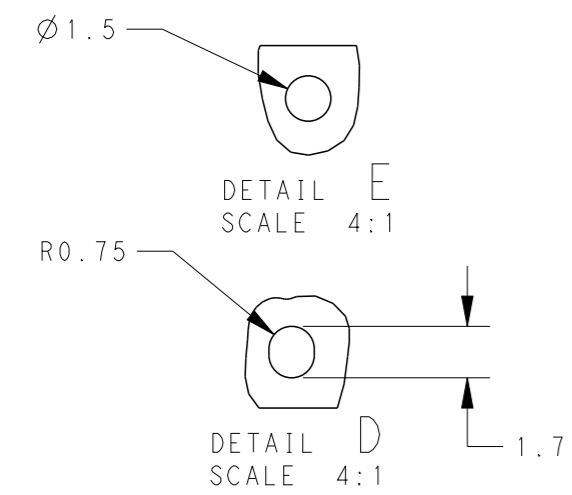
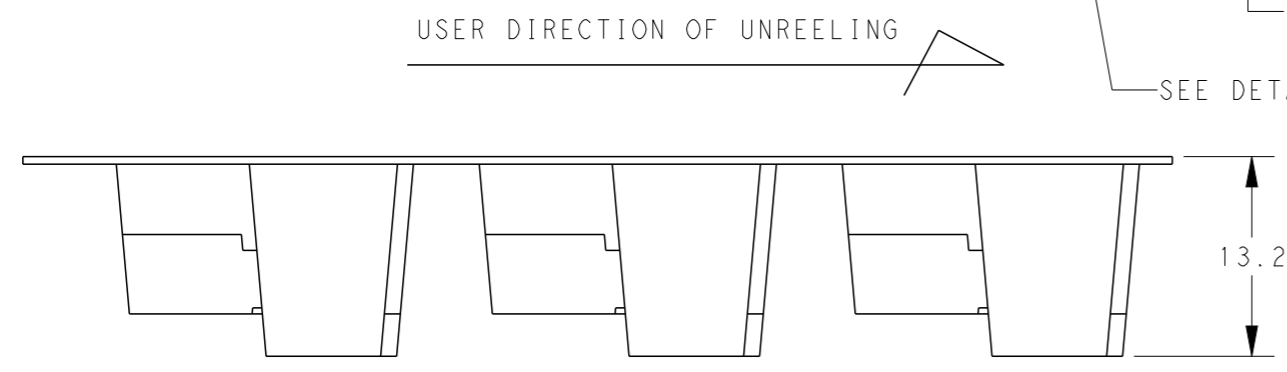
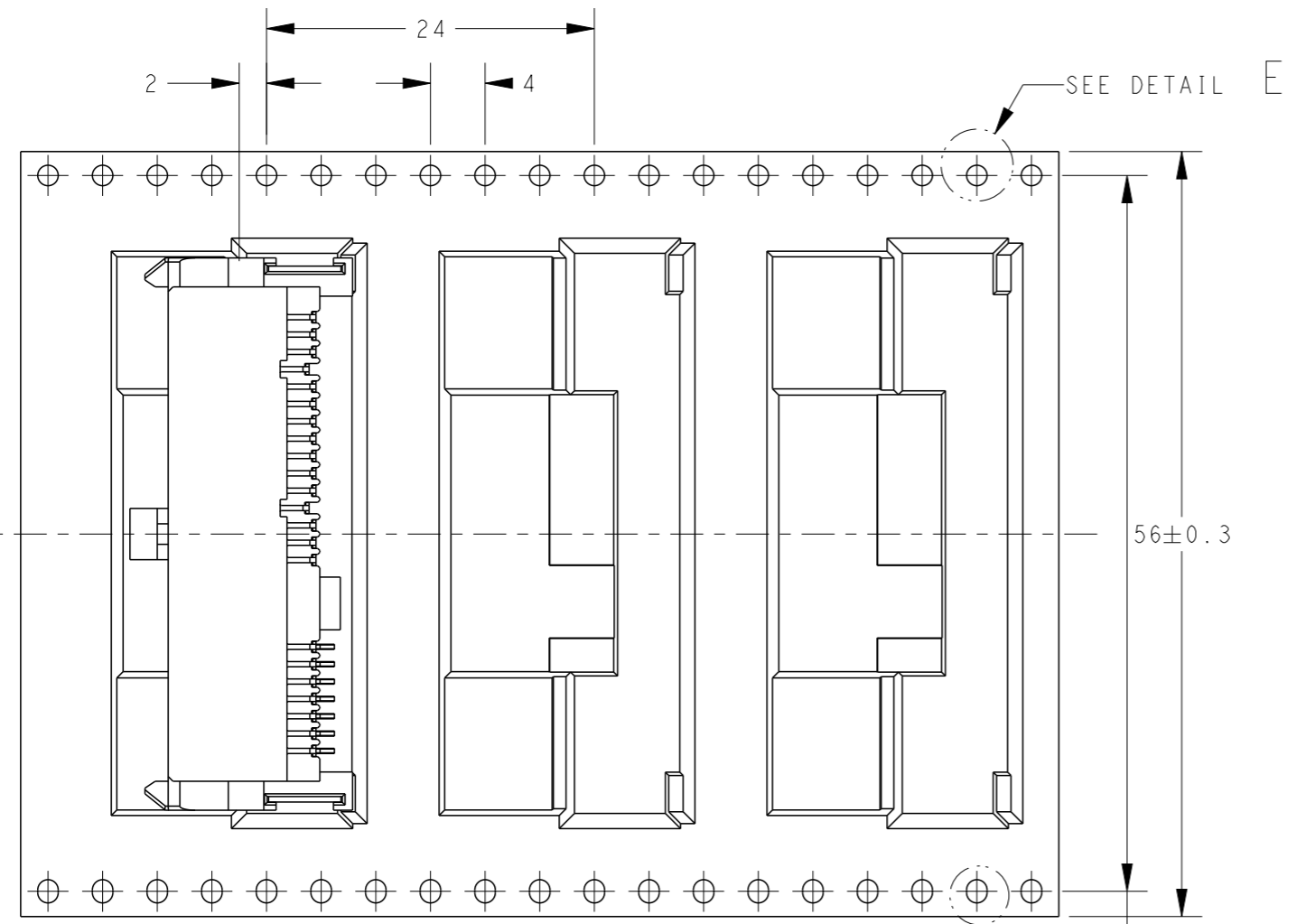
REC. ASSEMBLY  
 SLANT INSERTION SATA H7.85  
 6.0 GBPS

NAME	SIZE	CAGE CODE	DRAWING NO	RESTRICTED TO
	A3	00779	C-2129571	-

THIS DRAWING IS UNPUBLISHED. RELEASED FOR PUBLICATION 20  
 © COPYRIGHT 20 BY - ALL RIGHTS RESERVED.

LOC	DIST	REVISIONS			
P	LTR	DESCRIPTION	DATE	DWN	APVD
		SEE SHEET 1	-	-	-

- △ PEELING STRENGTH OF COVER TAPE: 0.2N~1.2N
- 6. PACKING MATERIAL: CARRY TAPE: PS, COLOR: CLEAR  
COVER TAPE: PET, COLOR: CLEAR
- 7. QUANTITY: 280PCS/ REEL  
840PCS/ BOX



THIS DRAWING IS A CONTROLLED DOCUMENT.		DWN			
DIMENSIONS: mm		CHK			
TOLERANCES UNLESS OTHERWISE SPECIFIED:		APVD	NAME		
0 PLC	±0.2	PRODUCT SPEC	REC. ASSEMBLY		
1 PLC	±0.2	APPLICATION SPEC	SLANT INSERTION SATA H7.85		
2 PLC	±0.2	WEIGHT	SIZE	CAGE CODE	DRAWING NO
3 PLC	±0.2		A3	00779	C-2129571
4 PLC	±0.2		RESTRICTED TO		
ANGLES	±5				
FINISH	-				
MATERIAL	-	CUSTOMER DRAWING	SCALE	SHEET	REV
			N/A	3 OF 3	A1